

Marking Stamp for Bolts

Bolt Measurement in  
**Inches**

YouTube  
How to use



# Boltline

**Quick One-Touch  
Marking for  
High-Strength Bolts !**



3/4 inch



7/8 inch

Point  
**1**

### Easy to use and makes clear markings

Simply set and press in. Anyone can easily apply straight matching marks. 1 cartridge can be used for approx. 500 continuous markings.



Sample of impression ▶

Point  
**2**

### Improves operation efficiency

Operation efficiency is 2 – 3 times faster, compared to using a marking pen. Contribute to shortening construction periods.



\*Based on our company data.

Point  
**3**

### Erasable marking with non-drying ink

Using an erasable ink cartridge, marking can be removed. Available in 2 ink colours : white and yellow!



Point  
**4**

### Marking on the corners of bolts is easy !

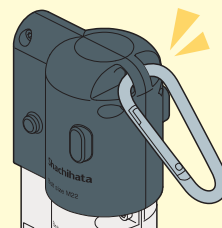
Transparent socket enables you to adjust the marking position by watching it. To mark on the corners of bolts, just align the protruding part of the socket with the bolt and press!



Point  
**5**

### Uses highly safe ink

This is a highly safe ink that complies with chemical substance regulations in Europe and other countries.



### Carabiner hole available

Convenient for carrying around.

Marking Stamp for Bolts

# Boltline



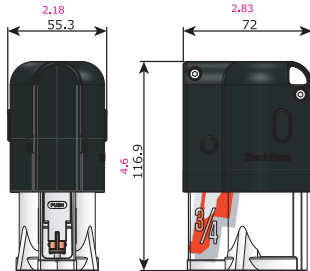
Just a Press for Easy Alignment Marks!



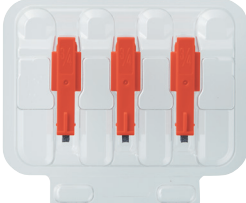
### Product size

### Ink Cartridge

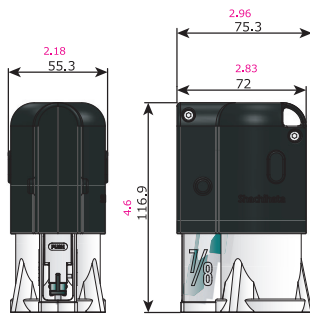
3/4 inch



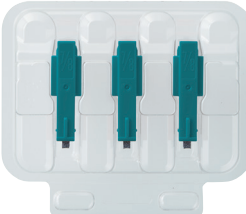
For 3/4 inch



7/8 inch



For 7/8 inch



For more information!

Contact us!



\*Specifications are subject to change without notice.

<https://www.artlineworld.com/contact/>

Available from

Artline & Xstamper  
Shachihata  
<https://www.artlineworld.com>



2373T2504